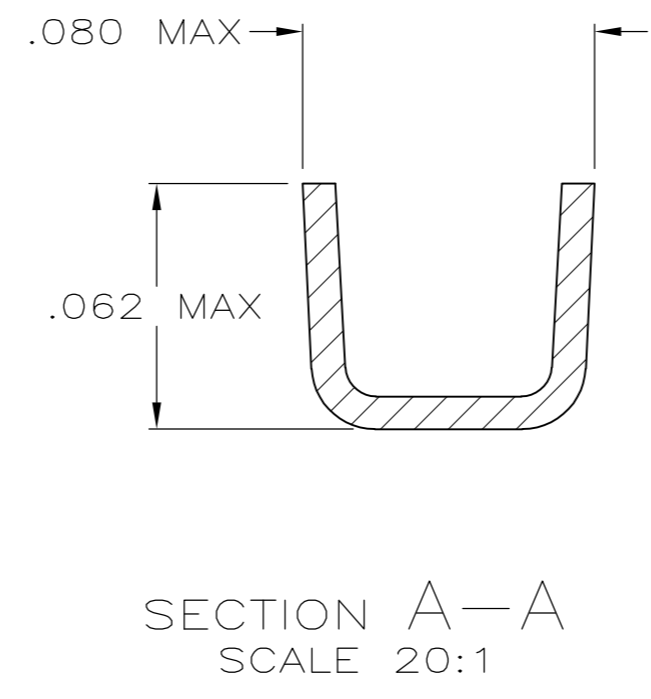
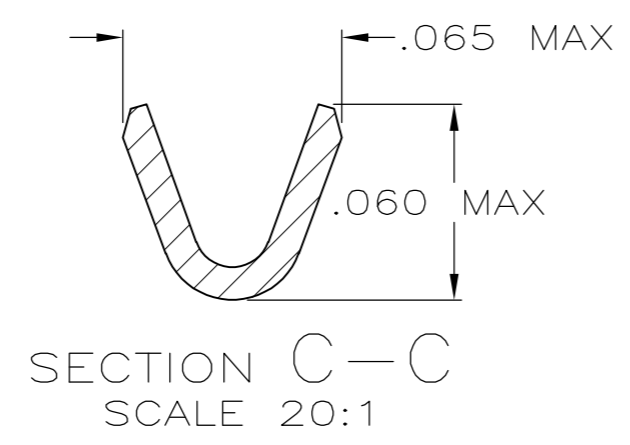
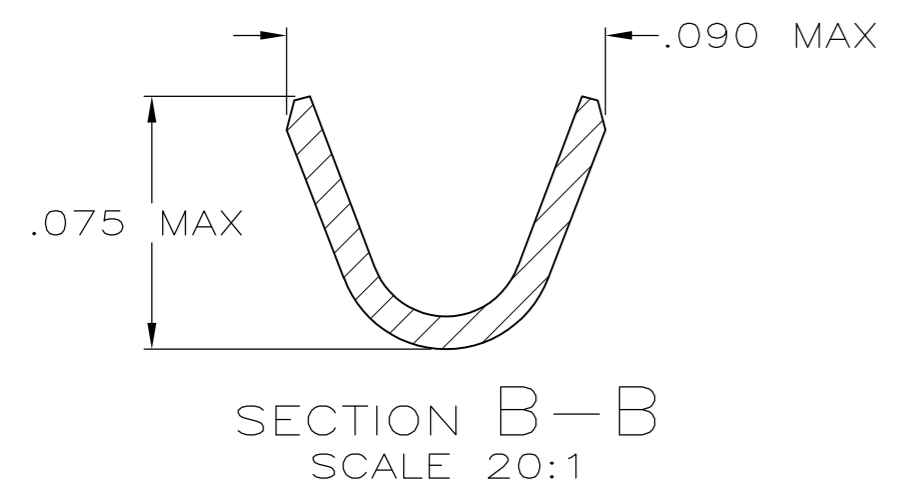
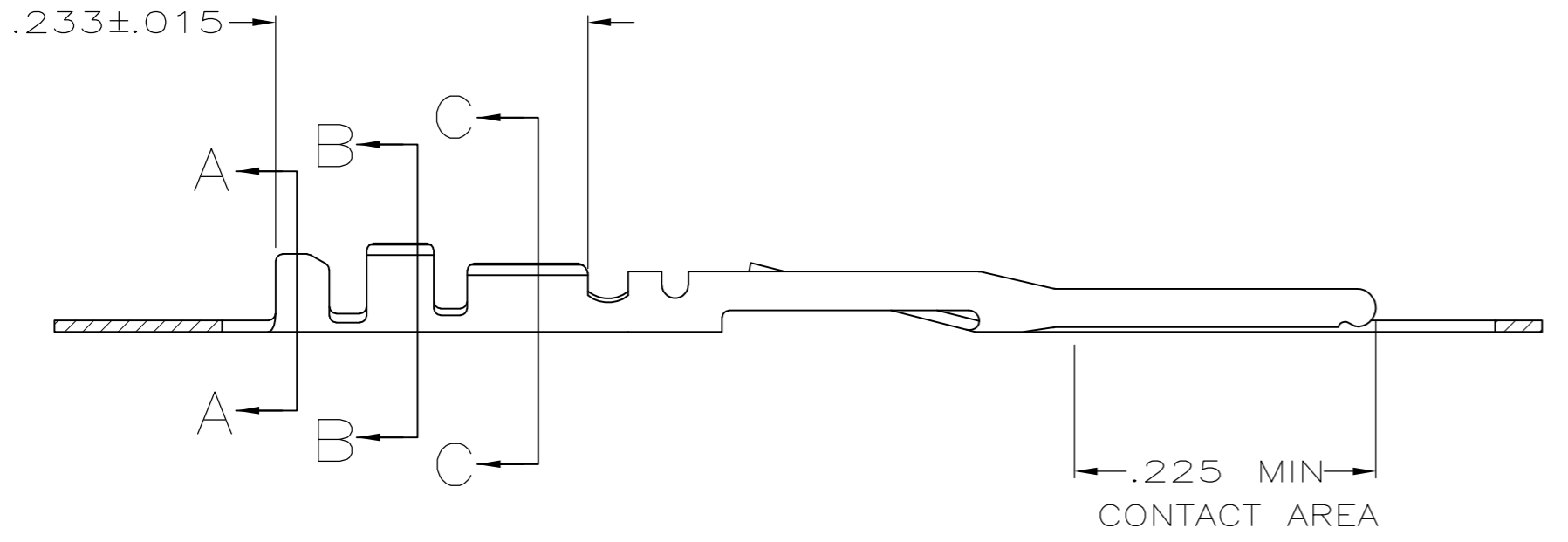
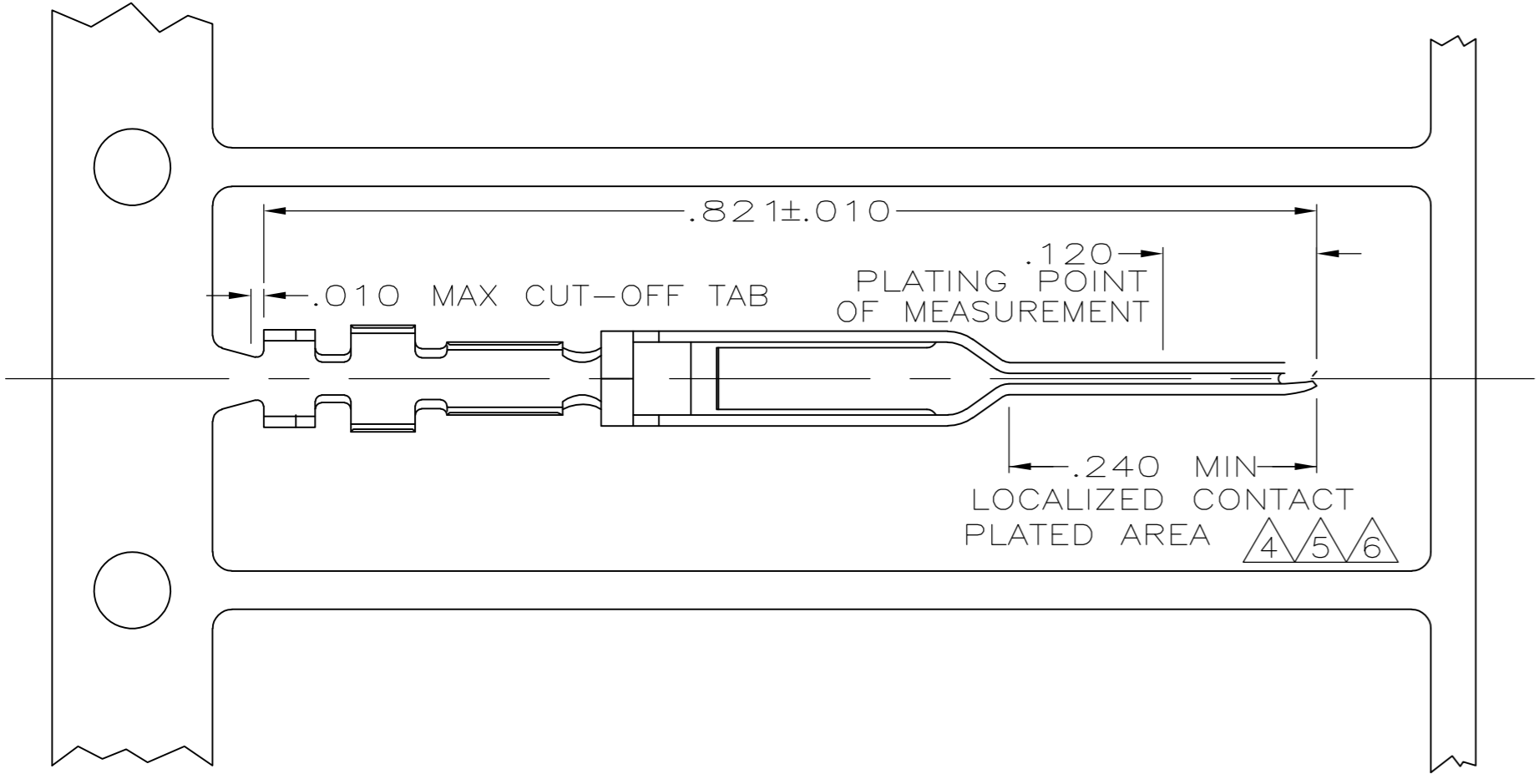


THIS DRAWING IS UNPUBLISHED. RELEASED FOR PUBLICATION  
 © COPYRIGHT BY TYCO ELECTRONICS CORPORATION. ALL RIGHTS RESERVED.

LOC	DIST	REVISIONS					
GP	00	P	LTR	DESCRIPTION	DATE	DWN	APVD
		V		REVISED PER ECN-0513-0325-05	27AUG07	JDP	DG



- 1 FOR STD APPLICATOR.
- 2 FOR MINI APPLICATOR.
- 3 FINISH: .000100 MIN THK BRIGHT-TIN LEAD OVER .000050 MIN THK NICKEL ON ENTIRE CONTACT.
- 4 FINISH: GOLD FLASH ALL OVER, .000015 THK GOLD IN LOCALIZED CONTACT PLATING AREA OVER .000050 MIN THK NICKEL ON ENTIRE CONTACT.
- 5 FINISH: GOLD FLASH ALL OVER, .000030 THK GOLD IN LOCALIZED CONTACT PLATING AREA OVER .000050 MIN THK NICKEL ON ENTIRE CONTACT.
- 6 FINISH: GOLD FLASH ALL OVER, .000050 THK GOLD IN LOCALIZED CONTACT PLATING AREA OVER .000050 MIN THK NICKEL ON ENTIRE CONTACT.
- 7. FOR 26-32 AWG WIRE WITH AN INSULATION RANGE OF .025-.048 DIA.
- 8 OBSOLETE PART NO.
- 9 FINISH: .000100 MIN THK MATTE TIN OVER .000050 MIN THK NICKEL ON ENTIRE CONTACT.

SUPERSEDED BY	REMARKS	FINISH	PART NO.
-	2	9	1-88048-4
-	LOOSE PIECE	6	8 1-88048-3
-	2	6	8 1-88048-2
-	1	6	8 1-88048-1
-	LOOSE PIECE	5	8 1-88048-0
-	1	5	8 88048-9
-	2	5	8 88048-8
-	1	3	8 88048-7
-	1	4	8 88048-6
88048-4	LOOSE PIECE	4	88048-5
-	2	4	88048-4
88048-2	LOOSE PIECE	3	88048-3
-	2	3	8 88048-2

THIS DRAWING IS A CONTROLLED DOCUMENT.

DWN	J. GALLUCCI	6-27-89
CHK	D.L. ROCKER	6-28-89
APVD	-	-
NAME	Tyco Electronics Corporation Harrisburg, PA 17105-3608	
PRODUCT SPEC	108-9024	
APPLICATION SPEC	114-16003	
WEIGHT	-	-
MATERIAL	PHOS. BRONZE	SEE TABLE
FINISH	SEE TABLE	
SIZE	A2	00779
CAGE CODE	C=88048	
DRAWING NO	88048	
RESTRICTED TO	-	
CUSTOMER DRAWING	SCALE	8:1
SHEET	1 of 1	
REV	V	